

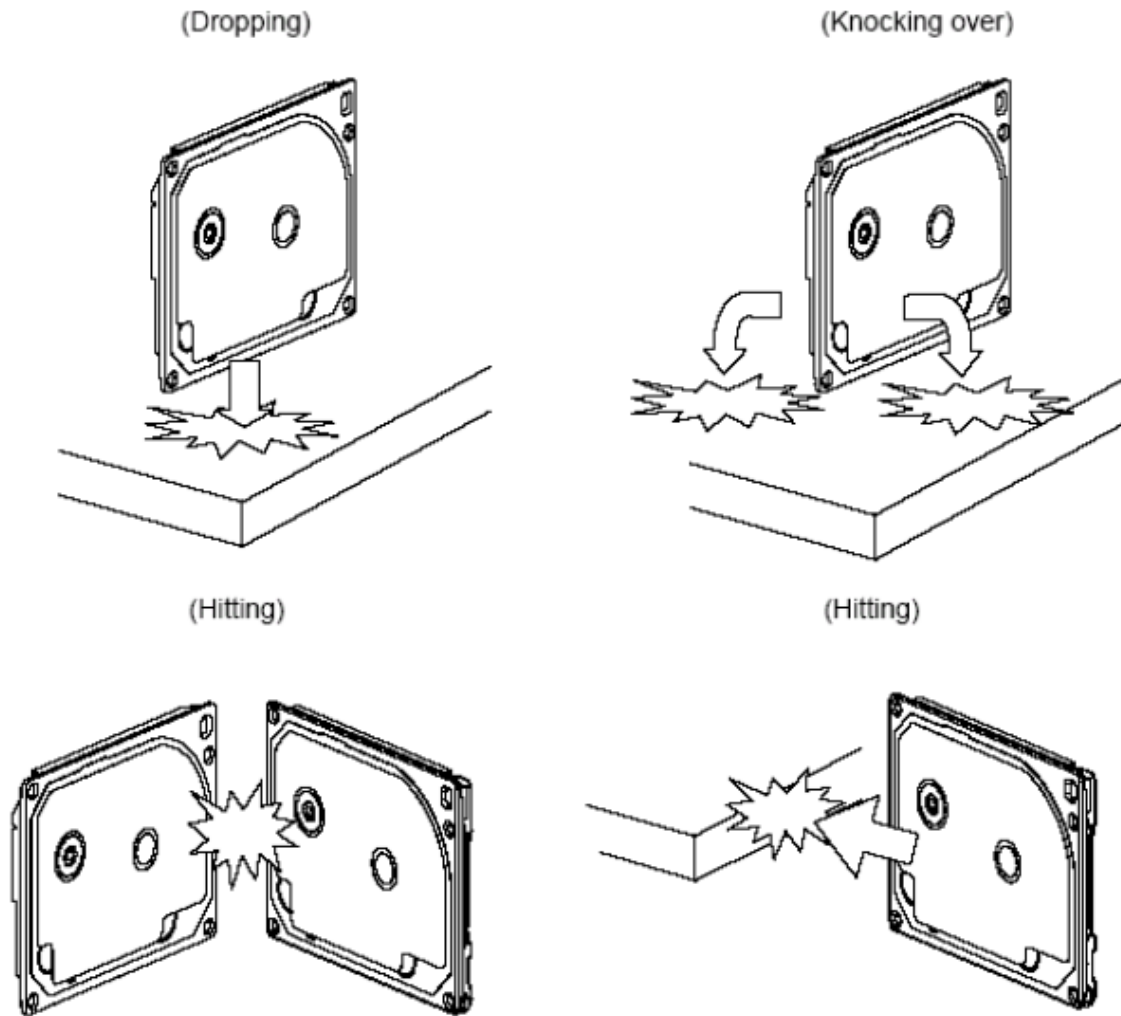
Quick Installation Guide Hitachi Travelstar 7K750

Models: HTS727575A9E364
HTS727564A9E364
HTS727550A9E364
HTS727575A9E365
HTS727564A9E365
HTS727550A9E365
HTE727575A9E364
HTE727564A9E364
HTE727550A9E364



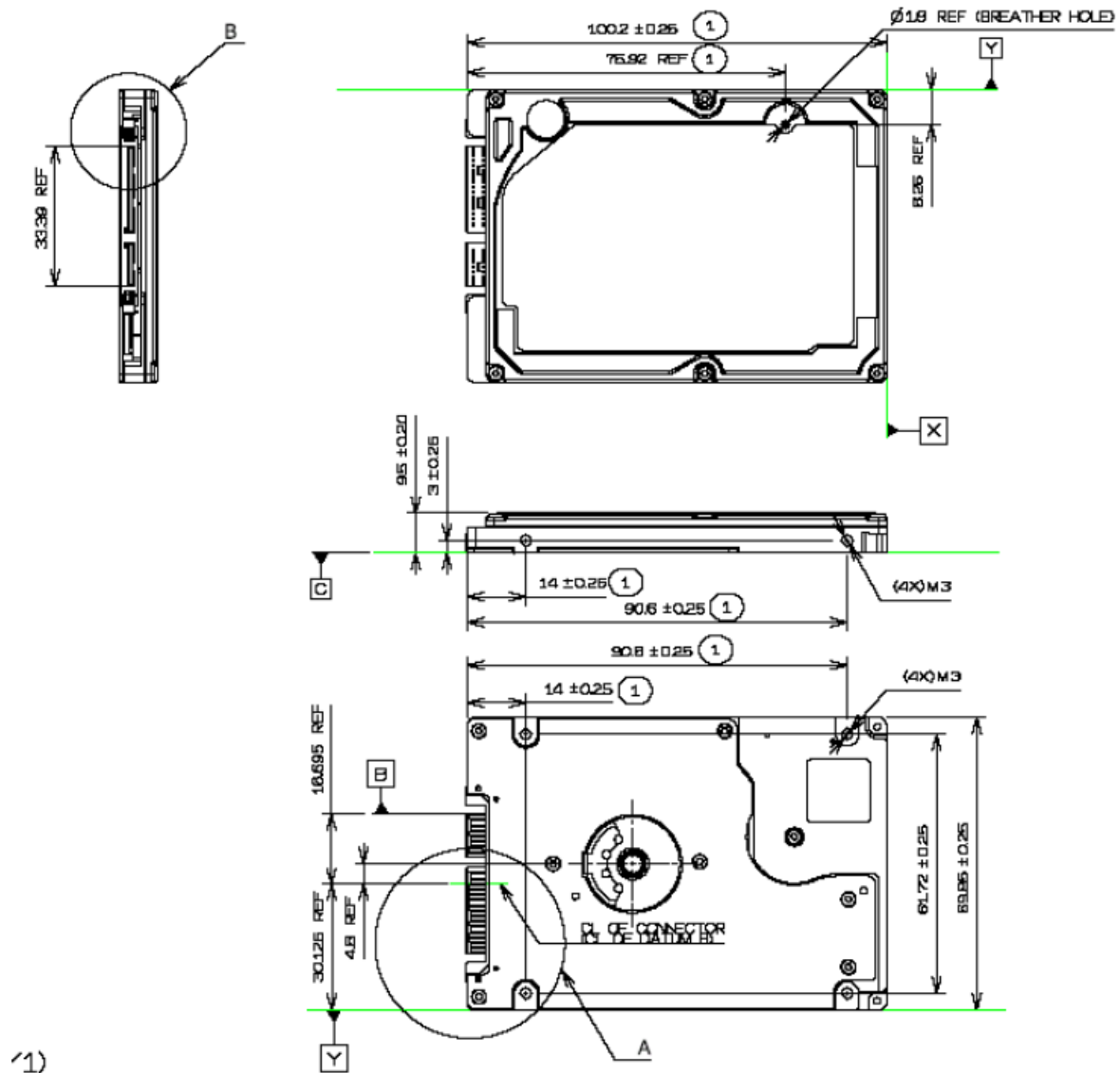
Handling precautions

- Set the drive down gently to prevent damage from impact or vibration.
- Handle the drive carefully by the edges. Do not touch the exposed printed circuit board or any electronic components.
- Do not press on the top or bottom of the drive.
- Before handling the drive, discharge any static electricity from yourself and your clothing. With one hand touch an unpainted metal surface, then touch the ESD bag with the other hand. Remain in contact with the chassis and the bag for a minimum of two seconds.
- Vibration, shock and static electricity to the drive will damage the precision parts. In particular, prevent vibration or shock generated by dropping, knocking over or hitting the drive. Also, avoid touching the electrical components directly, which can discharge electrostatic energy and damage the drive.



Mounting Recommendations

The mounting hole locations and size of the drive are shown below:



The drive will operate in all axes (six directions) and will stay within the specified error rates when tilted ± 5 degrees from these positions. Performance and error rate will stay within specification limits if the drive is operated in the other permissible orientations from which it was formatted. Thus a drive formatted in a horizontal orientation will be able to run vertically and vice versa.

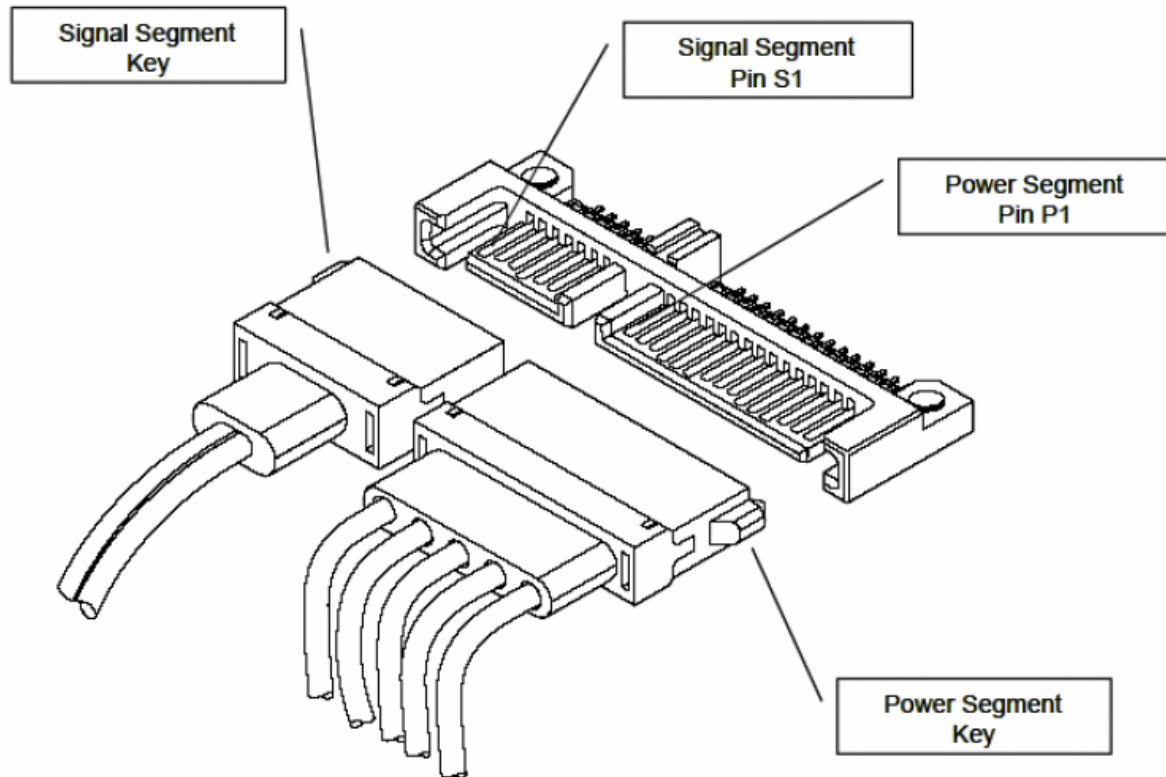
The recommended mounting screw torque is 0.3 ± 0.05 Nm.

The recommended mounting screw depth is 3.0 ± 0.3 mm for bottom and 3.5 ± 0.5 mm for horizontal mounting.

The user is responsible for using the appropriate screws or equivalent mounting hardware to mount the drive securely enough to prevent excessive motion or vibration of the drive at seek operation or spindle rotation.

Interface connector

The figure below shows the physical pin location



- All pins are in a single row, with a 127 mm (0.050") pitch.
- The comments on the mating sequence in Table in the section 7.3 apply to the case of back-plane
- blind-mate connector only. In this case, the mating sequences are:(1)the ground pins P4 and P12;(2) the pre-charge power pins and the other ground pins; and (3) the signal pins and the rest of the power pins.
- There are three power pins for each voltage. One pin from each voltage is used for pre-charge in the backplane blind-mate situation.
- If a device uses 3.3V, then all V33 pins must be terminated. Otherwise, it is optional to terminate any of the V33 pins
- If a device uses 5.0V, then all V5 pins must be terminated. Otherwise, it is optional to terminate any of the V5 pins
- If a device uses 12.0V, then all V12 pins must be terminated. Otherwise, it is optional to terminate any of the V12 pins.

© 2010 Hitachi Global Storage Technologies

Produced in the United States 10/10

All rights reserved

Travelstar is a trademark of Hitachi Global Storage Technologies. Hitachi and the Hitachi Inspire the Next logo are trademarks of Hitachi, Ltd. In the U.S., Japan and/or other countries.

Hitachi Global Storage Technologies' trademarks are authorized for use in countries and jurisdictions in which Hitachi has the right to use, market and advertise the brands. The Travelstar trademark is authorized for use in the Americas, EMEA and the following Asia-Pacific countries and jurisdictions: Australia, Hong Kong, Japan, New Zealand, South Korea and Taiwan. Contact Hitachi for further information. Hitachi Global Storage Technologies shall not be liable to third parties for unauthorized use of Hitachi Global Storage Technologies trademarks.

References in this publication to Hitachi Global Storage Technologies' products, programs, or services do not imply that Hitachi intends to make these available in all countries in which it operates. Some countries have laws that may affect encryption-enabled devices. Hitachi GST assumes no responsibility for compliance with laws that apply to our products after they are sold or outside of our control. Accordingly, we suggest that you review all laws of the countries where you conduct business.

Product specifications provided are sample specifications and do not constitute a warranty. Information is true as of the date of publication and is subject to change. Actual specifications for unique part numbers may vary. Please visit the Support section of our website, www.hitachigst.com/support, for additional information on product specifications. Photographs may show design models.

5 October 2010
